

气动压床

PNEUMATIC PRESS

2022 / 2023



浙江邦焯自动化科技有限公司

Zhejiang Bangye Automation Technology Co., Ltd.

ABOUT US

If you take a look at our logo, you will find that it is composed of two abstract shapes interacting with each other. It means cooperation as well as two strength: Manufacture and Innovation.

Just like the meaning of our logo, we hope we can better cooperate with our customers and can step into a better platform together.

We are a leading manufacturer of die casting, especially in the field of pneumatic and automotive. Above 90% of the production procedures are done by ourselves, which makes us different from the other suppliers.

With more than 20 years of OEM experiences, we play a leading role in this area. Our production capacity, comprehensive services as well as abundant experience enable us to be your best choice.

Corporate Data

Founded:2017

Registered Capital: 60 million RMB

Annual Sales: 120 million yuan

No. Employees: 220-280

Location: Zhejiang China

We are Shanghai Bangye Pneumatic And Hydraulic Components Co.,Ltd which has established since 2002. Our company moved from Shanghai to Pinghu in December 2020.



关于我们

如果你看我们的标志，你会发现它是由两个相互环绕的形状组成的。它的意思是制造与创新相互配合。

正如 BANGYE 商标所示，我们希望能与我们的客户进行更好的沟通与合作，让我们在共同的行业中走向辉煌。



我们是压铸行业领先的制造商，特别是在气动和汽车配件领域。其中超过 90% 以上的生产工艺均是由我们自己完成的，这是与其他供应商不同的地方。

我们有超过 20 年的 OEM 经验，使我们在代工领域起着重要作用。我们的生产能力，综合服务以及丰富的经验使我们成为您的最佳选择。

公司信息

成立日期：2017 年

注册资金：6000 万元

年销售额：1.2 亿元

公司职员：220 人 -280 人

公司地址：中国浙江

在 2020 年 12 月从上海搬迁至浙江嘉兴。原公司为上海邦业气动液压件有限公司，成立于 2002 年。



SZ SERIES PNEUMATIC PRESS

SZ 系列 气动压床



Pneumatic Press Feature

- Use compressed air as power source, low noise, no pollution, environmental friendly, simple operation.
- Four column press in open design, compact, simple structure, low maintenance, high production efficiency.
- Descending speed of cylinder stroke can be adjusted, easy adjustment, special stroke can be customized.
- Easy adjustment of air pressure, only need to adjust the barometric pressure to achieve needed pressure, simple and convenient.
- Safe design which requires both hands to operate the system, double button operation, with stop button, and foot pedal control (optional).
- Cylinder with check turn guide rod to improve accuracy.
- Can supply photoelectric protector, improve safety and efficiency.
- Provide customization for special requirements.

气动压床的特点：

- 以压缩空气为动力源，低噪音，无污染，环保，操作简便
- 四柱型开放式设计，轻巧不占空间，结构简单，极少维修，生产效率高
- 气缸行程、下行速度可调，调整简单，特殊行程可定制
- 出力调整容易，只要调整气压压力，就能达到需要的压力，简单又方便
- 安全设计，双按钮操作，设有急停按钮，另可选配脚踏控制
- 气缸配有止转导向杆，使工作更精确
- 可选装光电保护器，工作更安全高效
- 特殊要求可接受定制

Application Scope Of Pneumatic Press

It is widely used in the manufacture of household appliances, electronics, electrical terminals, watches and clocks, cameras and micro motors, and parts assembly. It is most suitable for the precision requirements of light load such as embedding, forming, assembling, riveting, printing, punching, cutting, bending, stamping and printing of small parts.

压床的适用范围：

广泛适用于家电业、电子工业、电器端子、钟表工业、照相机微型马达等制造及零部件装配，最适用小零部件之嵌入、成型、装配、铆合、打印、冲孔、切断、弯曲、烫金、印花等轻负荷精密要求。

KEY CODE 订购代码

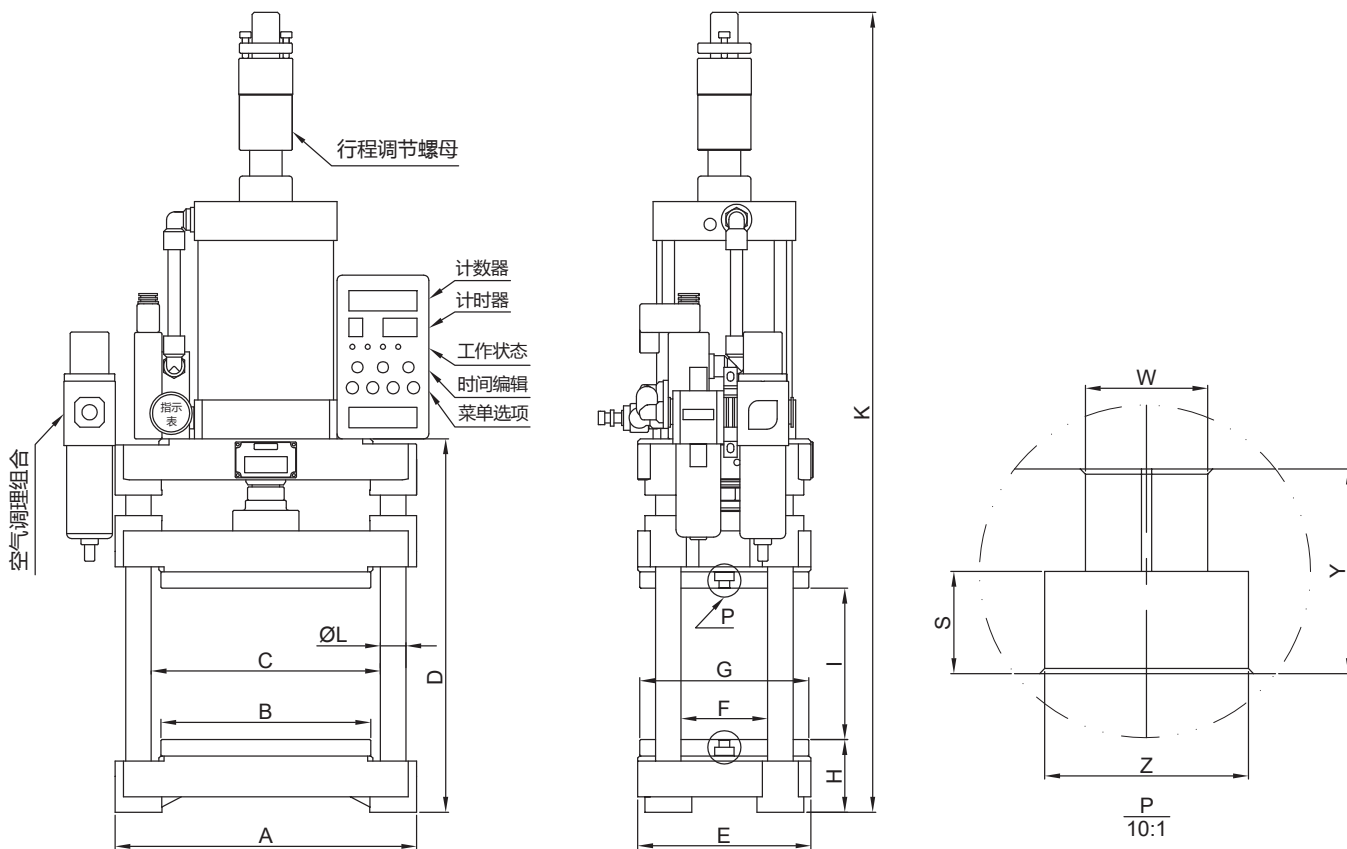
YC SZ - 220

SERIES 系列	MODEL 型号
SZ	220-350-550-550W-900-1500

☞ SZ - Four column press
四柱压床

GENERAL CONDITIONS OF SALE AVAILABLE AT WWW.BANGYE-AUTO.COM

Type 型号 : SZ



型号 Code	A	B	C	D	E	F	G	H	I	K	L	S	W	Y	Z
SZ220	296	206	225	420	170	85	166	71	200	870	25	7	10.5	16	19
SZ350	296	206	225	420	170	85	166	71	200	870	25	7	10.5	16	19
SZ550	296	206	225	420	170	85	166	71	200	900	25	7	10.5	16	19
SZ550W	388	256	300	510	240	128	236	85	250	990	32	9.5	12.5	20	24
SZ900	388	256	300	510	240	128	236	85	250	1040	32	9.5	12.5	20	24
SZ1500	388	256	300	510	240	128	236	85	250	1040	32	9.5	12.5	20	24

型号 Code	工作台尺寸 Working table size	最大工作高度 Max working height	气缸规格 Cylinder code	电源 Power supply(AC,50HZ)	机器重量 Machine net weight	使用气压 Air pressure
SZ220	206*166	190	MBJ80*100-50-S	220V	35KG	0.4-0.7Mpa
SZ350	206*166	190	MBJ100*100-50-S	220V	40KG	0.4-0.7Mpa
SZ550	206*166	190	MBJ125*100-50-S	220V	45KG	0.4-0.7Mpa
SZ550W	246*196	240	MBJ125*100-50-S	220V	60KG	0.4-0.7Mpa
SZ900	246*196	240	MBJ160*100-50-S	220V	68KG	0.4-0.7Mpa
SZ1500	246*196	240	MBJ200*100-50-S	220V	72KG	0.4-0.7Mpa

使用气压 Use air pressure	理论出力 Theoretical output value					
型号 Code	SZ220	SZ350	SZ550	SZ550	SZ900	SZ1500
0.4Mpa	181kgf	285kgf	458kgf	458kgf	753kgf	1206kgf
0.5Mpa	226kgf	357kgf	573kgf	573kgf	942kgf	1507kgf
0.6Mpa	272kgf	428kgf	688kgf	688kgf	1130kgf	1809kgf
0.7Mpa	317kgf	500kgf	802kgf	802kgf	1319kgf	2110kgf

SZ SERIES PNEUMATIC PRESS

SZ 系列 气动压床

Fasten screw

Prevent loosening in operation

Cylinder adjustable stroke 50mm

The fasten screws need to be loosened

Electromagnetic directional valve

Control back and forth of cylinder

Three points combination

Control pressure range to facilitate pressure matching efficiency

Down gauge

Indicate downward pressure

Control button

Need to press left and right together to operate the press action, optional choice for foot pedal switch control

Counter

Reset operation for understanding daily production and cost

Timer

It can display down-pressure working time and return time

Working condition

Working status indicator

Time editing

Set down time and return time

Menu options

Set operating parameters and functional selection

Four-column guide plate

Installable mold is consistent with workbench

Emergency stop

Emergency safety button



 SZ - Four column press
四柱压床

GENERAL CONDITIONS OF SALE AVAILABLE AT WWW.BANGYE-AUTO.COM

SZ SERIES PNEUMATIC PRESS

SZ 系列 气动压床

锁紧螺丝

工作时防止松动

气缸可调行程50mm

锁紧螺丝需放松

电磁换向阀

控制气缸往返

三点组合

控制压力范围，
便于压配效能

下压力表

指示下压时压力

控制按钮

需左右一起按下
才能操作压床动作，
另有脚踏开关控制选用

计数器

归零功能，能了解
每日生产量，便于
管理了解成本

计时器

可以显示下压工作
时间及返回时间

工作状态

工作状态指示灯

时间编辑

设置下压时间和
返回时间

菜单选项

设置运行参数及
功能选择

四柱导向板

可安装模具，与
工作台面一致

紧急停止

紧急安全按钮

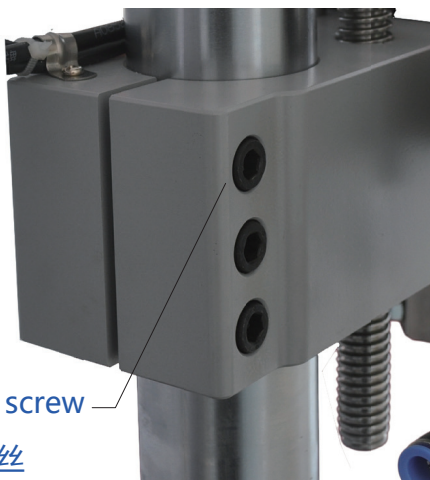


 SZ - Four column press
四柱压床

GENERAL CONDITIONS OF SALE AVAILABLE AT WWW.BANGYE-AUTO.COM

DZ SERIES PNEUMATIC PRESS

DZ 系列 气动压床



Fasten screw
锁紧螺丝

KEY CODE 订购代码

YC DZ - 80

SERIES 系列	MODEL 型号
DZ	80-140-220-220W-350-550

 DZ - Single column press
单柱压床

GENERAL CONDITIONS OF SALE AVAILABLE AT WWW.BANGYE-AUTO.COM

Pneumatic Press Feature

- Use compressed air as power source, low noise, no pollution, environmental friendly, simple operation.
- No noise is generated when standby comparing to oil pressure system, can save power and reduce production cost.
- Multifunctional applications for pressing, punching, riveting, assembling, cutting, etc.
- The closure height can be adjusted according to the size of the product or mould.
- Cylinder stroke can be adjusted and special stroke can be customized.
- Easy adjustment of air pressure, only need to adjust the barometric pressure to achieve needed pressure, simple and convenient.
- Safe design which requires both hands to operate the system, double button operation, and can supply additional optoelectronic protection device to work safer.
- Provide customization for special requirements.

气动压床的特点：

- 以压缩空气为动力源，低噪音，无污染，环保，操作简便
- 没有油压系统待机时所产生之噪音，可节省电力消耗降低生产成本
- 多功能用途适用于压入、冲孔、铆合、装配、切断等
- 可根据产品或模具的大小调整闭合高度
- 气缸行程可调，特殊行程可定做
- 出力调整容易，只要调整气压压力，就能达到需要的压力，简单又方便
- 安全设计，双按钮操作，另可加装光电保护装置，工作更安全
- 特殊要求可接受定制

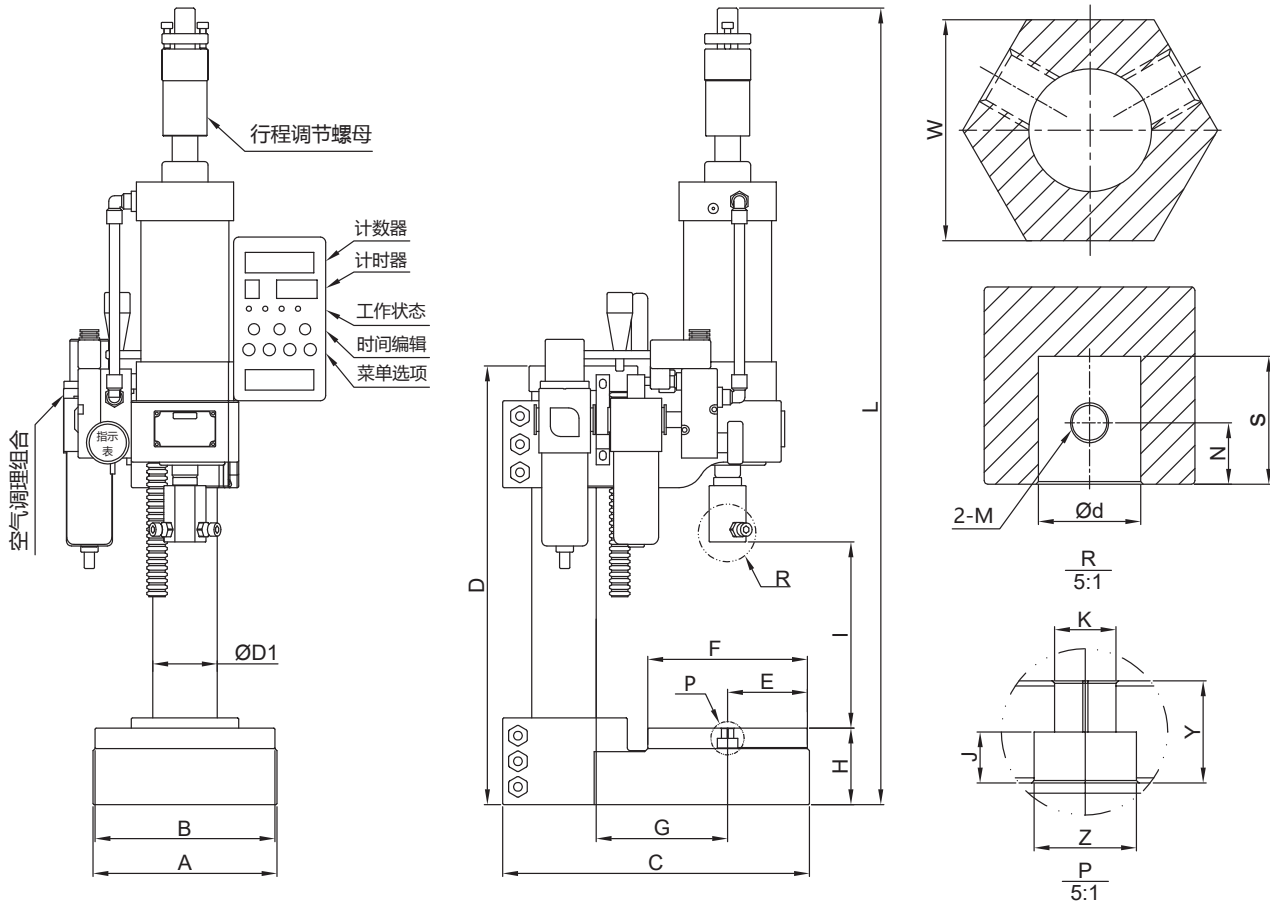
Set screw

- Limit spacing function to prevent the upper and lower locking screw of the movable base from being too tight which will damage the movable base.
- When adjusting the height of the movable base, loose two locking screws first, and then use the tightening screw to open the top of the movable base .
- In order to adjust the space between the column and the movable base, the adjustment needs to be made when the movable base is moving up and down.

紧定螺丝：

- 限位作用，防止活动基座上下两个锁紧螺丝太紧，损坏活动基座
- 调整活动基座高度时，先松开两个锁紧螺丝，再用紧定螺丝顶开活动基座
- 活动基座上下移动时，用于调整与立柱之间的间隙

Type 型号 : DZ



型号 Code	A	B	C	D	D1	E	F	G	H	I	J	K	L	d	M	N	S	W	Y	Z
DZ80	180	176	300	480	63	80	156	128.5	70	250	7	10.5	860	20	M8	10	25	36	16	19
DZ140	180	176	300	480	63	80	156	128.5	70	250	7	10.5	860	20	M8	10	25	36	16	19
DZ220	180	176	300	480	63	80	156	128.5	70	250	7	10.5	900	20	M10	15	30	36	16	19
DZ220W	250	246	345	510	70	100	196	145	90	250	9.5	12.5	930	25	M10	15	30	42	20	24
DZ350	250	246	345	510	70	100	196	145	90	250	9.5	12.5	930	25	M10	15	30	42	20	24
DZ550	250	246	345	510	70	100	196	145	90	250	9.5	12.5	960	25	M10	15	30	42	20	24

型号Code	工作台尺寸 Working table size	最大工作高度 Max working height	气缸规格 Cylinder code	电源 Power supply(AC,50HZ)	机器重量 Machine net weight	使用气压 Air pressure
DZ80	176*156	240	MBJ50*100-50-S	220V	28KG	0.4-0.7Mpa
DZ140	176*156	240	MBJ63*100-50-S	220V	33KG	0.4-0.7Mpa
DZ220	176*156	240	MBJ80*100-50-S	220V	38KG	0.4-0.7Mpa
DZ220W	246*196	240	MBJ80*100-50-S	220V	40KG	0.4-0.7Mpa
DZ350	246*196	240	MBJ100*100-50-S	220V	45KG	0.4-0.7Mpa
DZ550	246*196	240	MBJ125*100-50-S	220V	50KG	0.4-0.7Mpa

使用气压 Use air pressure	理论出力 Theoretical output value					
型号 Code	DZ80	DZ140	DZ220	DZ220	DZ350	DZ550
0.4Mpa	65kgf	112kgf	181kgf	181kgf	285kgf	458kgf
0.5Mpa	82kgf	140kgf	226kgf	226kgf	357kgf	573kgf
0.6Mpa	98kgf	168kgf	272kgf	272kgf	428kgf	688kgf
0.7Mpa	115kgf	115kgf	317kgf	317kgf	500kgf	802kgf

DZ SERIES PNEUMATIC PRESS

DZ 系列 气动压床

Fasten screw

Prevent loosening in operation

Cylinder adjustable stroke 50mm

The fasten screws need to be loosened

Workbench adjustment handwheel

Adjust the height of workbench

Three points combination

Control pressure range to facilitate pressure matching efficiency

Down gauge

Indicate downward pressure

Counter

Reset operation for understanding daily production and cost

Timer

It can display down-pressure working time and return time

Working condition

Working status indicator

Time editing

Set down time and return time

Menu options

Set operating parameters and functional selection

Control button

Need to press left and right together to operate the press action and optional choice for foot pedal switch control



Application Scope Of Pneumatic Press

It is widely used in the manufacture of household appliances, electronics, electrical terminals, watches and clocks, cameras and micro motors, and parts assembly. It is most suitable for the precision requirements of light load such as embedding, forming, assembling, riveting, printing, punching, cutting, bending, stamping and printing of small parts.

压床的适用范围:

广泛适用于家电业、电子工业、电器端子、钟表工业、照相机微型马达等制造及零部件装配，最适用小零部件之嵌入、成型、装配、铆合、打印、冲孔、切断、弯曲、烫金、印花等轻负荷精密要求。

 DZ - Single column press
单柱压床

GENERAL CONDITIONS OF SALE AVAILABLE AT WWW.BANGYE-AUTO.COM

DZ SERIES PNEUMATIC PRESS

DZ 系列 气动压床

锁紧螺丝

工作时防止松动

气缸可调行程50mm

锁紧螺丝需放松

工作台调整手轮

调整工作台上下高度

三点组合

控制压力范围，便于压配效能

下压力表

指示下压时压力

控制按钮

需左右一起按下才能操作压床动作，另有脚踏开关控制选用

计数器

归零功能，能了解每日生产量，便于管理了解成本

计时器

可以显示下压工作及返回时间

工作状态

工作状态指示灯

时间编辑

设置下压时间和返回时间

菜单选项

设置运行参数及功能选择



 DZ - Single column press
单柱压床

GENERAL CONDITIONS OF SALE AVAILABLE AT WWW.BANGYE-AUTO.COM



Company Name: Zhejiang Bangye Automation Technology Co., Ltd.
Address: No.689, Jingxing 1st Road, Caoqiao Street, Pinghu, Jiaxing city, Zhejiang Province, China
Post Code: 314214
Tel: +86-573-85966868 Fax: +86-573-85963366
E-mail: info@bangye-auto.com Website: www.bangye-auto.com

公司名称：浙江邦焯自动化科技有限公司
地址：浙江省嘉兴市平湖市曹桥街道景兴一路689号
邮编：314214
电话：0573-85966868 传真：0573-85963366
网站：www.bangye-auto.com
邮箱：info@bangye-auto.com



浙江邦焯自动化科技有限公司
Zhejiang Bangye Automation Technology Co., Ltd.